

CMS1002W SERVICE PARTS

This parts list contains the parts for the CMS1002W. The model number of the machine is located on the ice machine in two places: on the back panel, and behind the front panel below the control box.

Check the model number to be certain of obtaining the correct parts.

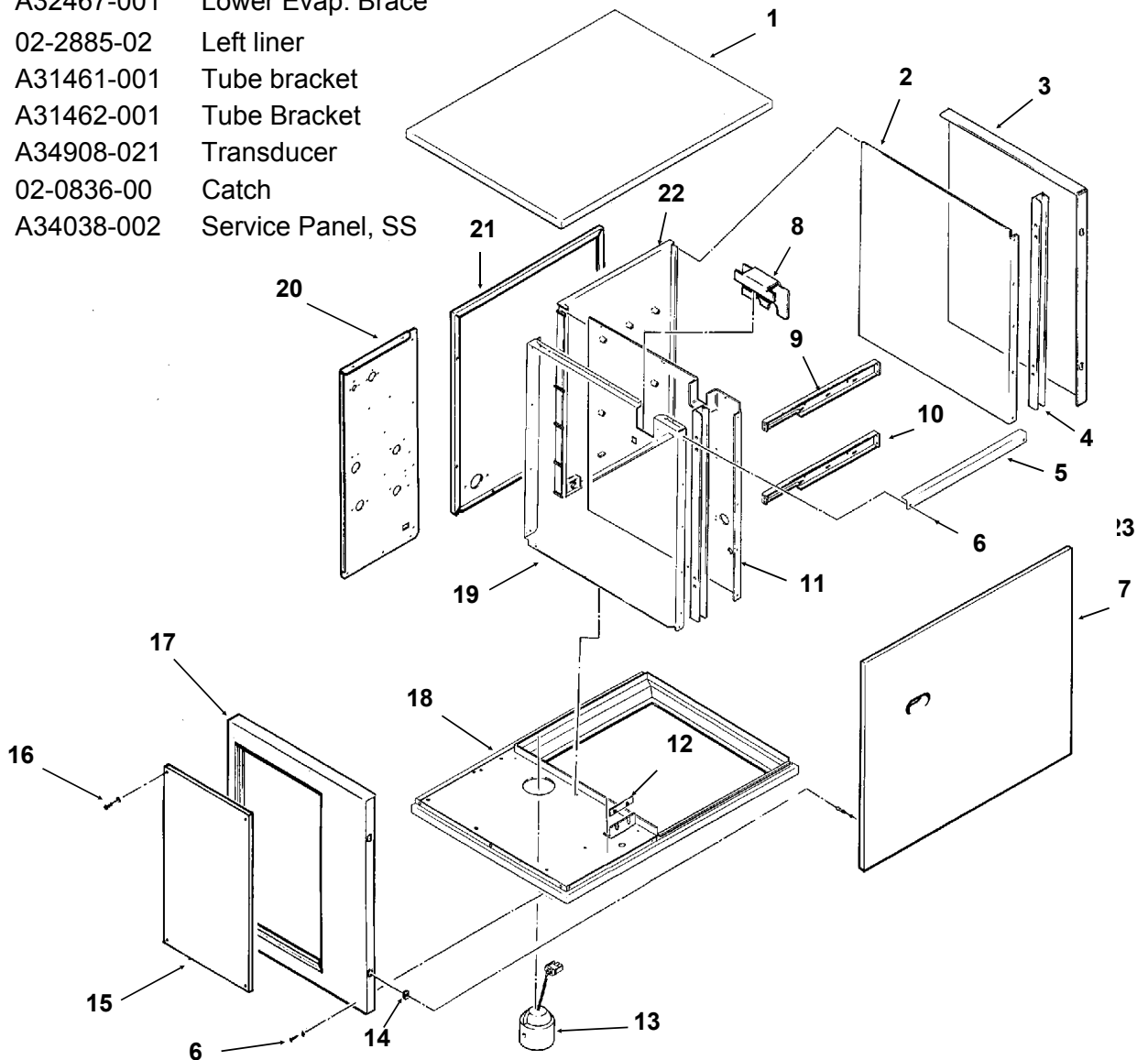
TABLE OF CONTENTS

Cabinet	Page 2
Refrigeration System	Page 3
Water System	Page 4
Control Box	Page 5
Ice Storage Bin	Page 6
Wiring Diagrams	Page 7

CMS1002W SERVICE PARTS

CABINET

ITEM NUMBER	PART NUMBER	DESCRIPTION	ITEM NUMBER	PART NUMBER	DESCRIPTION
1	A32159-002	Top Panel, SS	15	A34038-001	Service Panel, painted
	A32159-001	Top panel, painted	16	03-1404-12	Screw
2	02-2887-02	Right Liner	17	A32435-002	Left Side Panel, SS
3	A35453-002	Right Side Panel, SS		A32435-001	Left Side Panel, painted
	A35453-001	Right Side panel, painted	18	A34861-001	Base Assembly
4	A32470-001	Brace	19	A32454-001	Retainer
5	A32469-001	Upper cabinet brace	20	A34826-002	Back Panel, SS
6	03-1531-01	Screw		A34826-001	Back Panel, painted
7	A32160-002	Front Panel, SS	21	A32452-003	Right Back Panel, SS
	A32160-001	Front Panel, Painted		A32452-001	Right Back Panel, painted
	15-0411-00	Strike for front panel	22	02-2888-02	Back Liner
	03-1406-04	Nut for strike	23	15-0711-01	Scotsman Emblem
8	A32549-002	Flange retainer		03-0271-00	Clip
9	A32587-001	Upper Evap. Brace	24	A32464-001	Curtain stand off
10	A32467-001	Lower Evap. Brace			
11	02-2885-02	Left liner			
12	A31461-001	Tube bracket			
	A31462-001	Tube Bracket			
13	A34908-021	Transducer			
14	02-0836-00	Catch			
15	A34038-002	Service Panel, SS			



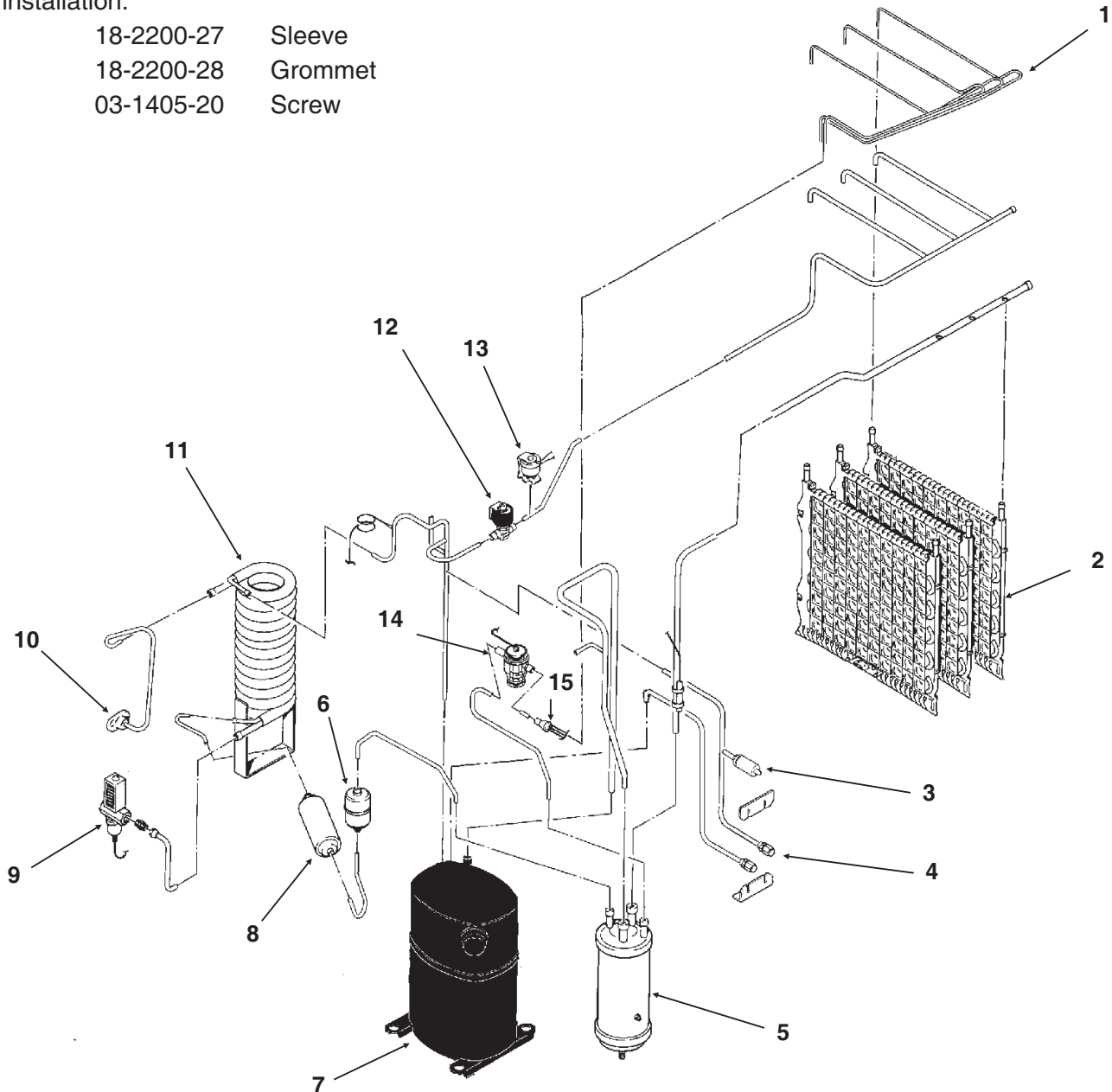
CMS1002W SERVICE PARTS

REFRIGERATION SYSTEM

ITEM NUMBER	PART NUMBER	DESCRIPTION	ITEM NUMBER	PART NUMBER	DESCRIPTION
1	16-0876-01	Evap. inlet assembly	8	02-2628-02	Receiver
2	A30296-020	Evaporator	9	11-0424-01	Water regulating valve
3	11-0463-21	Hi pressure control switch	10	A31828-003	Drain adaptor
4	16-0560-00	Valve core	11	18-8200-25	Water cooled condenser
	16-0563-00	Cap	12	12-2320-22	Hot gas valve
5	16-1157-22	Accumulator	13	12-2300-07	Hi temp cut out
6	02-3319-02	Filter dryer	14	16-0816-22	Thermo expansion valve
7	18-8600-02	Compressor 208-230/60/1 (CRG3-0250-PFV-270)		02-2920-01	Insulation for TXV (half)
	18-8862-22	Compressor 203-230/60/3	15	16-0792-02	Refrigerant Distributor

Replacement compressors include a crankcase heater, not used on this model. It may be disconnected or used upon installation.

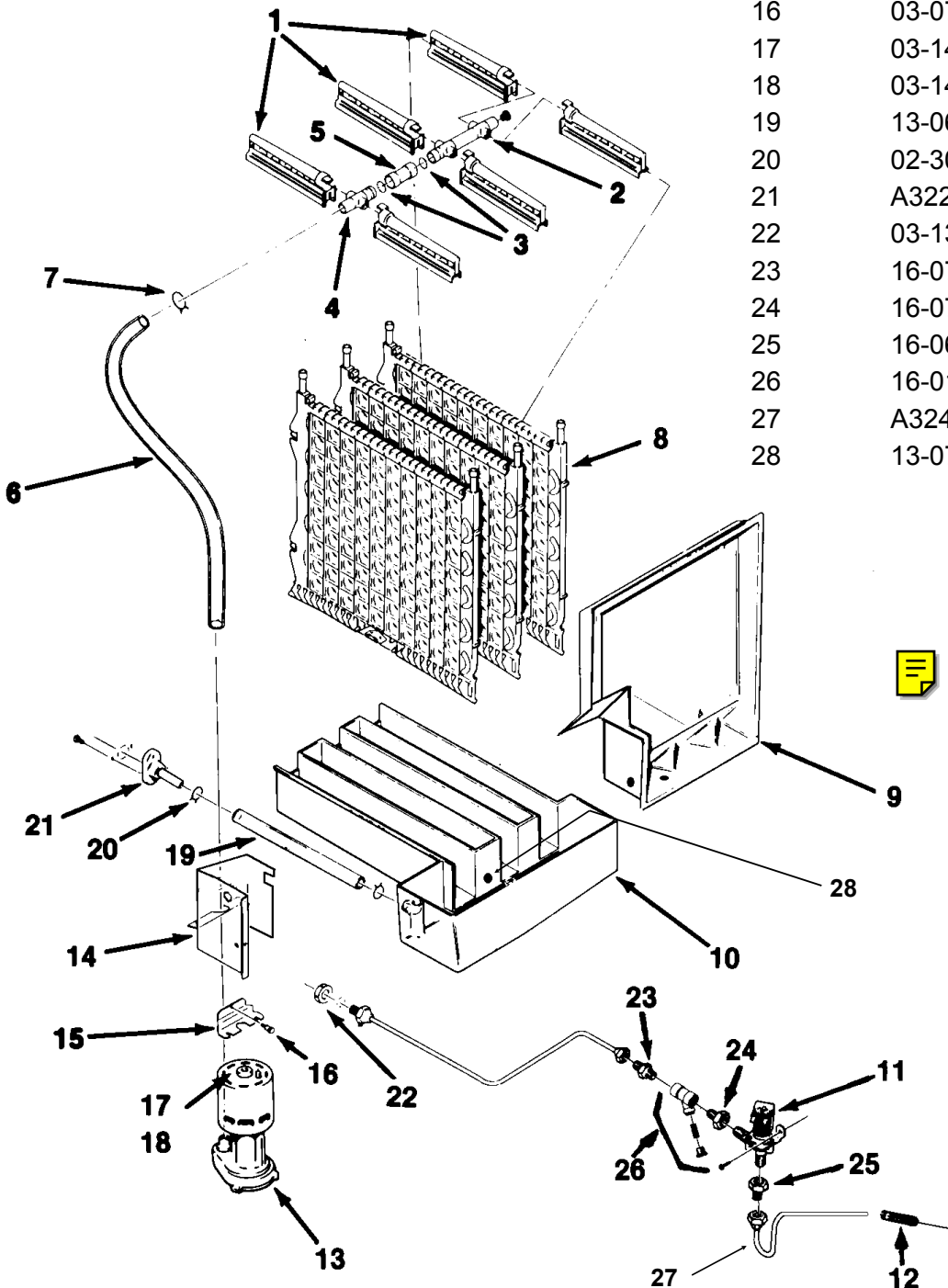
- 18-2200-27 Sleeve
- 18-2200-28 Grommet
- 03-1405-20 Screw



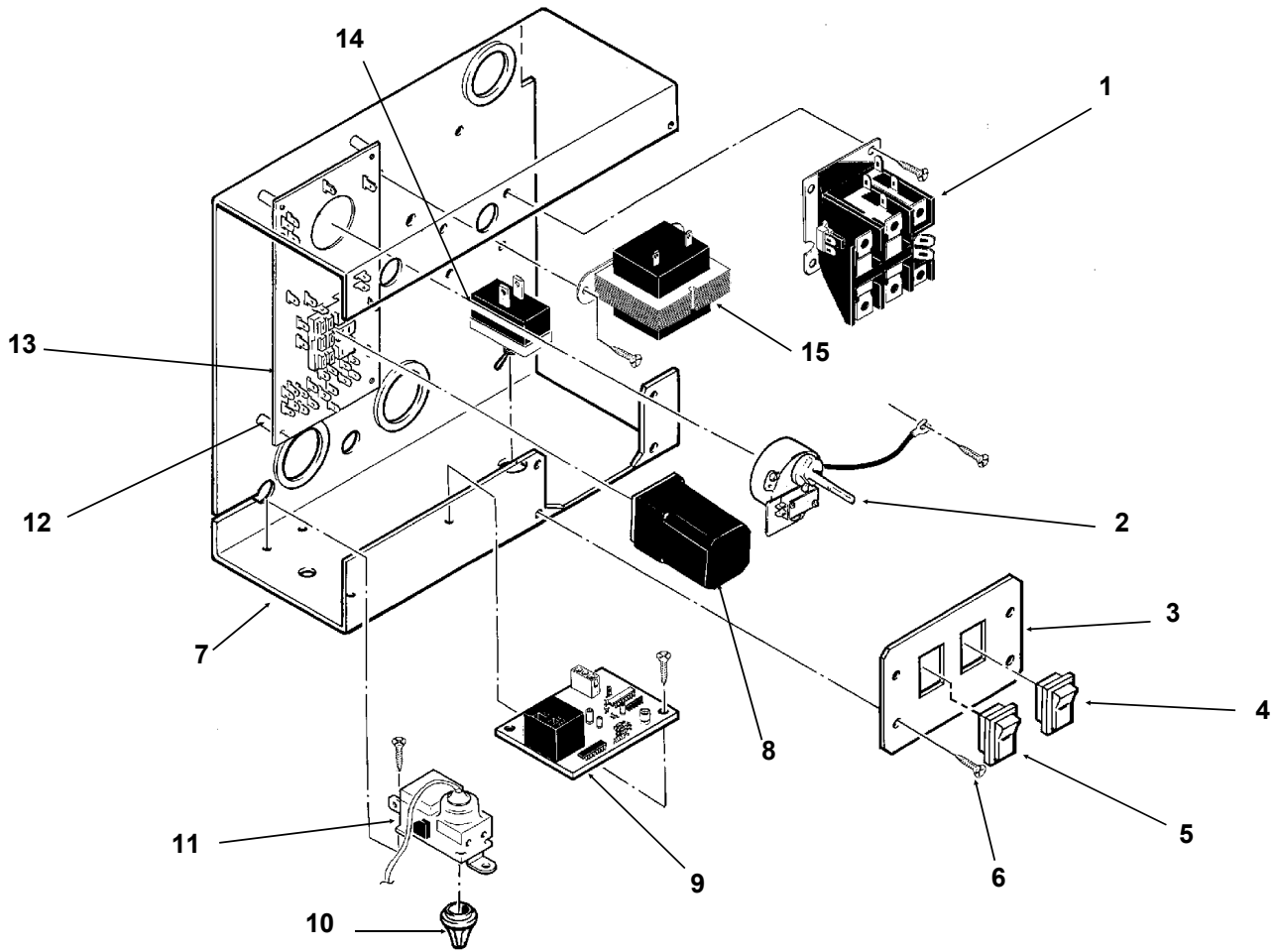
CMS1002W SERVICE PARTS

WATER SYSTEM

ITEM NUMBER	PART NUMBER	DESCRIPTION	ITEM NUMBER	PART NUMBER	DESCRIPTION
1	02-2527-01	Water Distributor Tube	8	A30296-020	Evaporator
2	02-2521-01	Water Manifold, long	9	02-2890-03	Evaporator Cover
3	13-0617-48	O-Ring	10	A35861-001	Reservoir
4	A29703-001	Water Manifold, short	11	12-1646-11	Inlet Water Valve
5	02-2895-01	Water Restrictor	12	13-0674-01	Hose (8" needed)
6	13-0674-07	Tube (need 30")	13	12-2419-62	Water Pump
7	02-3094-01	Hose clamp	14	A32462-001	Housing, pump
			15	A32551-001	Bracket, pump
			16	03-0727-00	Thumb screw
			17	03-1406-05	Nut for top of pump
			18	03-1407-03	Washer for top of pump
			19	13-0674-07	Drain hose (16.5" needed)
			20	02-3094-01	Hose clamp
			21	A32282-003	Drain
			22	03-1394-01	Pal nut
			23	16-0791-01	Coupling (half union)
			24	16-0794-01	Adaptor
			25	16-0631-02	Connector, female
			26	16-0162-00	Strainer
			27	A32474-001	Inlet Tube
			28	13-0796-01	Reservoir Drain Cap



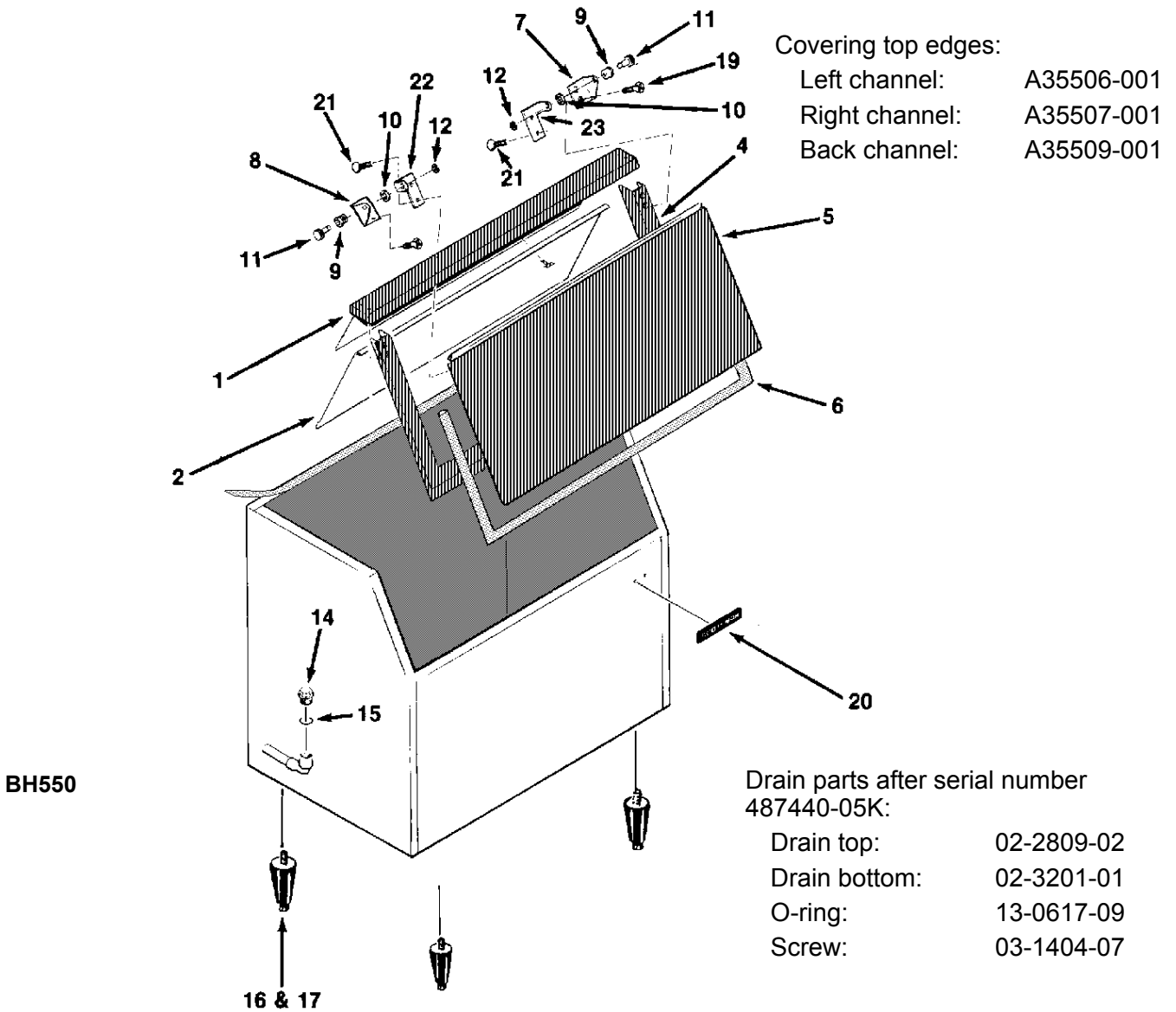
CMS1002W SERVICE PARTS CONTROL BOX



ITEM NUMBER	PART NUMBER	DESCRIPTION	Not Shown		
1	12-0739-02	Contactors 3 phase	16	A34845-001	Control Box Cover
	12-2469-02	Contactors, single phase	17	17-1961-01	Label for control box cover
2	12-2317-22	Timer and microswitch	18	18-1903-46	Potential Relay
3	02-3173-01	Cover plate	19	18-1902-27	Run Capacitor
4	12-2414-01	ON/OFF/WASH switch	20	18-1901-48	Start Capacitor
	12-2402-01	Wire harness, bin level switch to board		18-8702-01	Start Capacitor Cap
5	12-2411-01	Bin ice level switch			
6	03-1638-03	Screw			
7	no number	Control box			
8	12-1879-03	Relay			
9	12-2376-21	Bin level control board			
10	no number	Knob, part of item 11			
11	11-0436-21	Cube size control, includes knob			
12	02-2242-02	Stand off			
13	12-1912-01	Circuit board			
14	12-0426-01	Compressor on off switch			
15	12-2285-22	Transformer			

CMS1002W SERVICE PARTS

ICE STORAGE BIN SERVICE PARTS

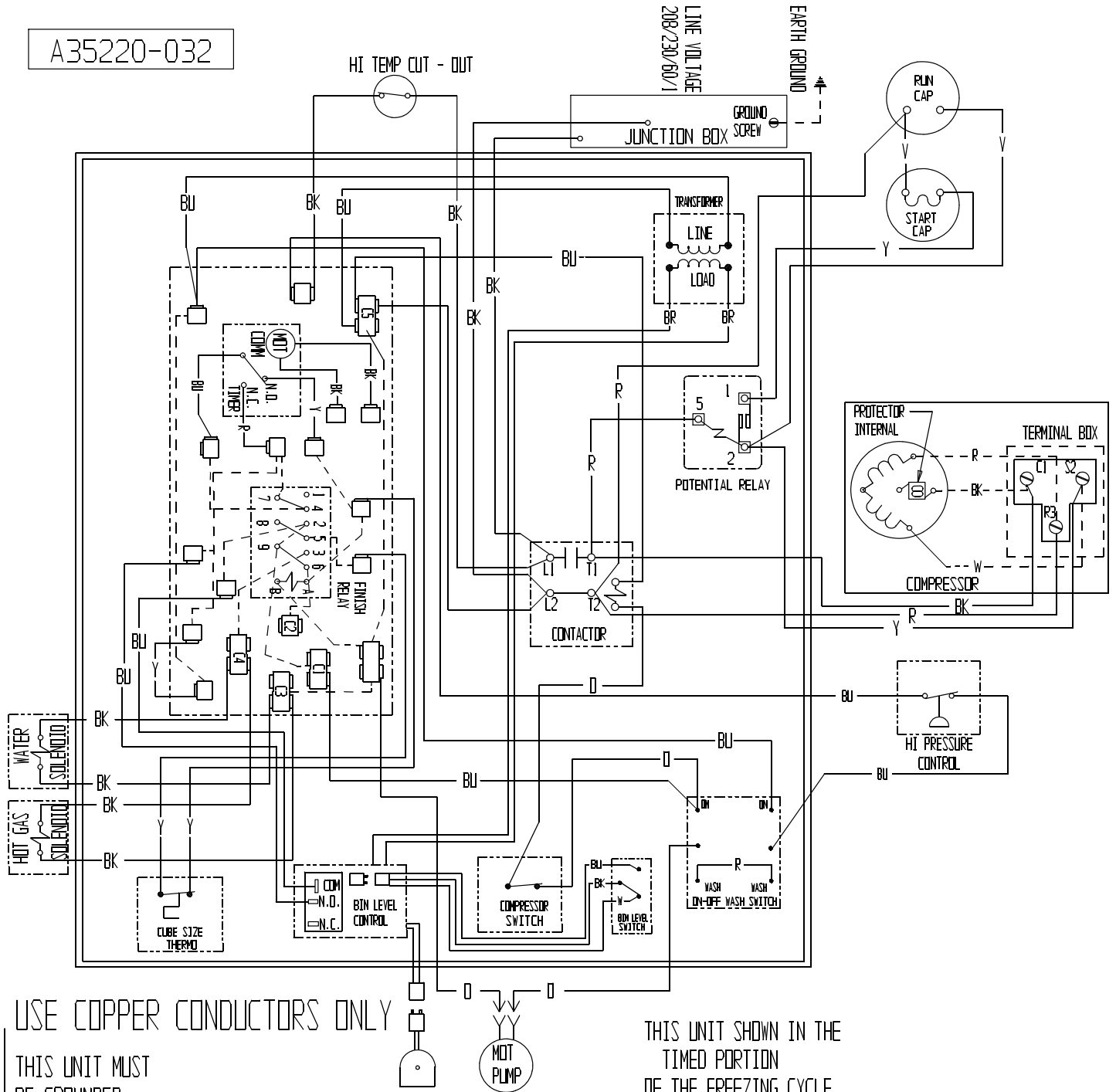


ITEM NUMBER	PART NUMBER	DESCRIPTION	ITEM NUMBER	PART NUMBER	DESCRIPTION
1	A33921-001	Canopy	14	02-2809-01	Drain Top
2	A32580-001	Baffle	15	13-0617-11	O-Ring
3	19-0503-04	Gasket	16	KLPE	Leg kit, black
4	A33922-020	Door Frame	17	KLPS	Leg kit, nickel
5	A33938-020	Door	18	03-1404-06	Screw
6	13-0595-00	Door Gasket, 6' req.	19	03-1360-02	Screw
7	A32396-002	Hinge Right	20	15-0711-01	Emblem
8	A32396-001	Hinge Left	21	03-1418-41	Screw
9	02-2380-02	Hinge Bushing	22	A32546-001	Door hinge left
10	02-2380-02	Hinge Spacer	23	A32546-002	Door hinge right
11	02-2806-01	Shoulder Screw	24	03-1423-07	Speed nut for baffle
12	03-1539-09	E-Clip			
13	03-0727-06	Thumb Screw			

CMS1002W SERVICE PARTS

208-230/60/1

A35220-032



USE COPPER CONDUCTORS ONLY
THIS UNIT MUST BE GROUNDING.

THIS UNIT SHOWN IN THE TIMED PORTION OF THE FREEZING CYCLE.

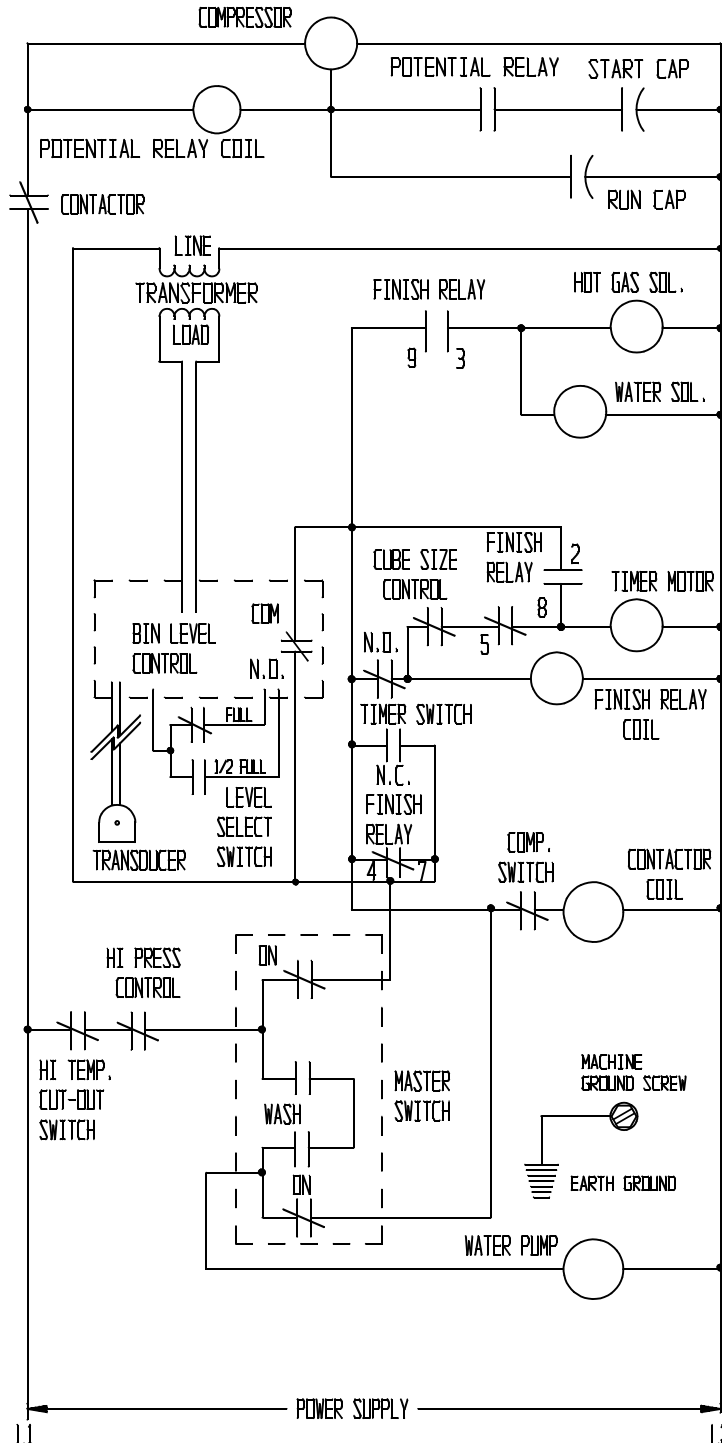
CMS1002W SERVICE PARTS

208-230/60/1

CAUTION:

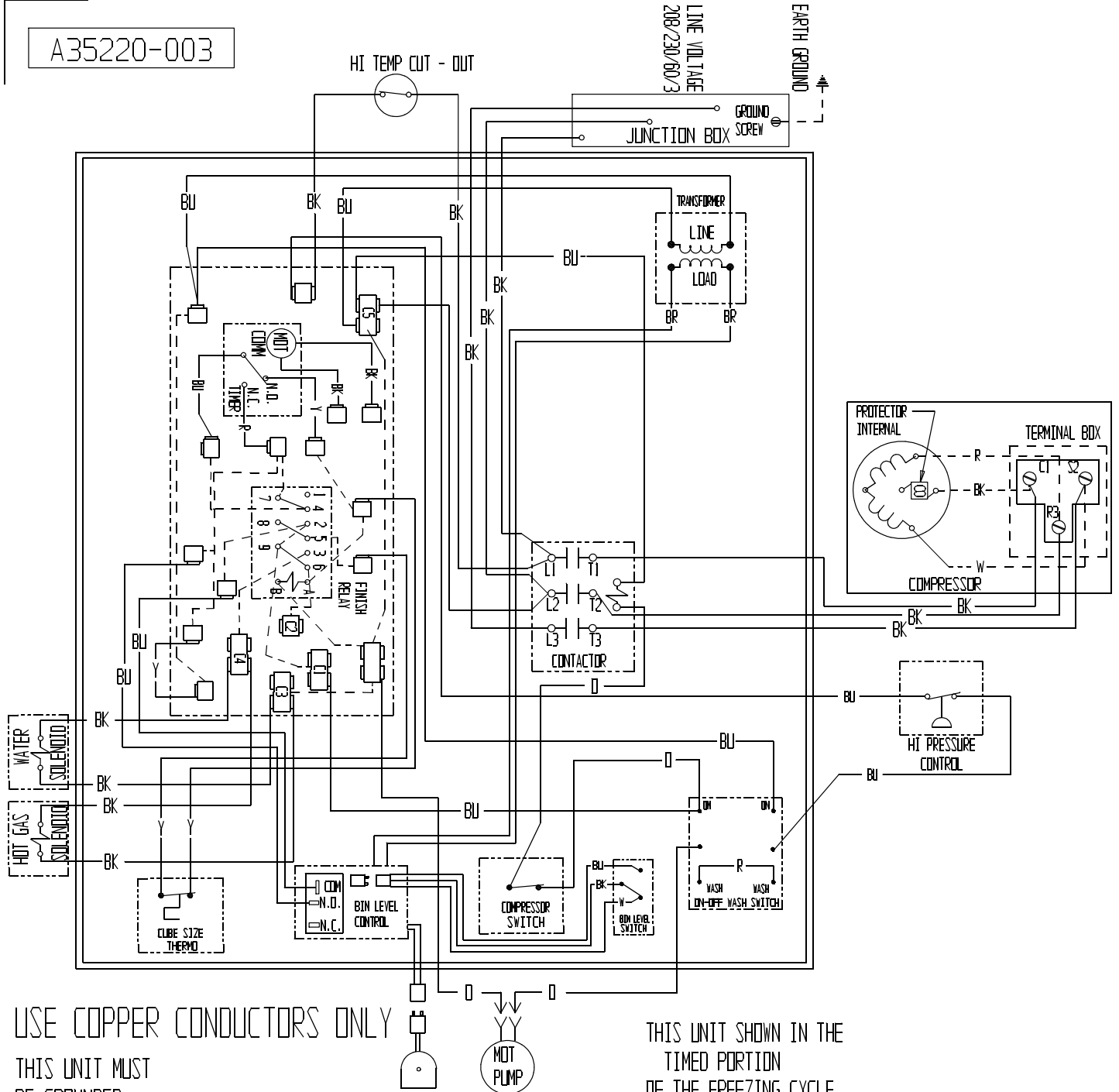
MORE THAN ONE DISCONNECT MEANS MAY BE REQUIRED TO DISCONNECT ALL POWER TO THIS UNIT.

NOTE: DASHED LINES INDICATE FIELD WIRING WHICH MUST BE INSTALLED IN ACCORDANCE WITH THE NATIONAL ELECTRICAL CODE AND ALL STATE AND LOCAL CODES.



CMS1002W SERVICE PARTS

208-230/60/3



CMS1002W SERVICE PARTS

208-230/60/3

CAUTION:

MORE THAN ONE DISCONNECT MEANS MAY BE REQUIRED TO DISCONNECT ALL POWER TO THIS UNIT.

NOTE: DASHED LINES INDICATE FIELD WIRING WHICH MUST BE INSTALLED IN ACCORDANCE WITH THE NATIONAL ELECTRICAL CODE AND ALL STATE AND LOCAL CODES.

